

# DC FAN

30x30x7mm(1.18"x1.18"x0.27")



## General Specification:

**Frame:**PBT(Black)UL94V-0

**Impeller:**PBT(Black)UL94V-0

**Operating Temperature:**-10°C~70°C

### Motor Protection:

Auto Restart or Polarity Protection

### Insulation Resistance:

20MΩ or over with a DC500V Megger

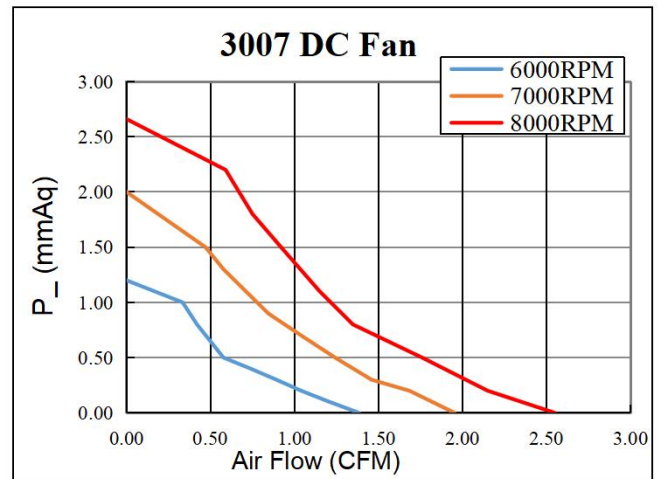
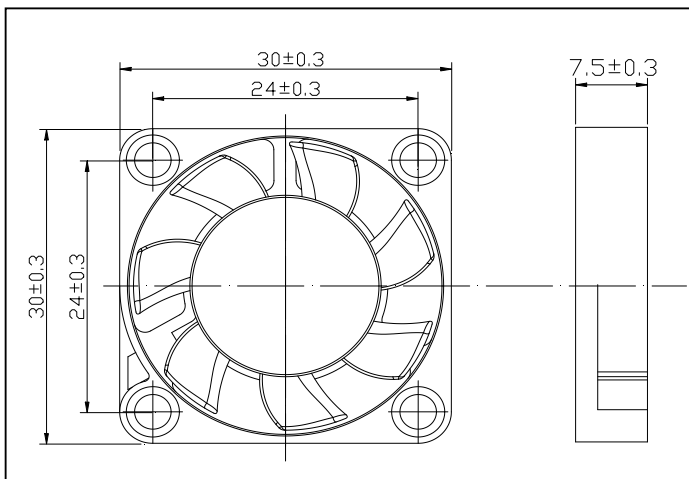
### Dielectric Withstand Voltage:

AC500V 1s

### Bearing Type:

Sleeve Bearing or Ball bearing

Model No.	Bearing Type	Voltage (V)	Speed Type	Speed (RPM)	Current (A)	AirFlow (CFM)	Pressure (mmAq)	Noise (dBA)	Weight (g)
D03007	S/D	5	H	8000	0.12	2.55	2.66	22	6
			M	7000	0.12	1.95	2.00	18	
			L	6000	0.09	1.38	1.20	15	
		12	M	8000	0.06	2.55	2.66	22	
			L	7000	0.05	1.95	2.00	18	



- ©All reading are typical values at rated voltage.
- ©Parameters can be set according to customer requirements.
- ©Specification subject to change without notice.